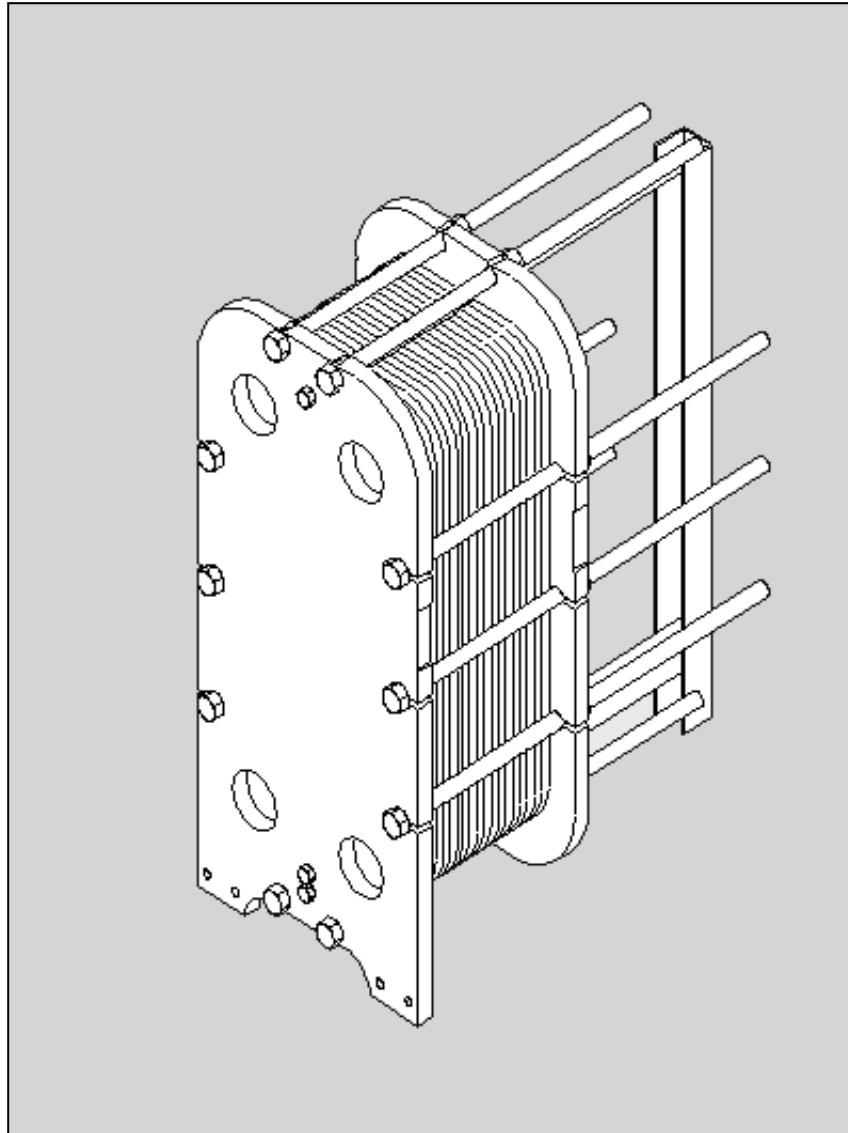


# Strebel PHK Plate Heat Exchangers

## Technical Data Sheets



**Strebel Ltd**  
1F Albany Park Industrial Estate  
Frimley Road, Camberley,  
Surrey, GU16 7PB

Tel: 01276 685 422  
Fax: 01276 685 405  
Web: [www.strebel.co.uk](http://www.strebel.co.uk)  
Email: [info@strebel.co.uk](mailto:info@strebel.co.uk)

<b>Plate Heat Exchanger Data Sheet</b>
--

**Model type: PHK60 ( 48 plates )**

Heat transfer duty (kW): 60

**Heat Exchanger circuit - Side 1**

Fluid description: Water  
Fluid flow rate (Kg/sec): 0.72  
Inlet temperature (Deg C.): 86.0  
Outlet temperature (Deg C.): 66.0  
Pressure drop (Kpa): 5.2  
Inlet / outlet locations: F1 / F4  
Connection size & type: 1.0" BSPT male  
Connection material: 316 Stainless  
Max. working / test pressure (Bar g.): 6.0 / 9.0  
Max. working temperature (Deg C.): 100

**Heat Exchanger circuit - Side 2**

Fluid description: Water  
Fluid flow rate (Kg/sec): 0.72  
Inlet temperature (Deg C.): 62.0  
Outlet temperature (Deg C.): 82.0  
Pressure drop (Kpa): 4.9  
Inlet / outlet locations: F3 / F2  
Connection size & type: 1.0" BSPT male  
Connection material: 316 Stainless  
Max. working / test pressure (Bar g.): 6.0 / 9.0  
Max. working temperature (Deg C.): 100

**Constructional Details**

Channel Arrangement: 1 x 23 / 1 x 24  
Plate material: 0.5 mm / 316 Stainless  
Plate type: Single wall  
Gasket material: Nitrile - clip in  
Frame specification: Steel - painted  
Weight empty (Kgs): 56  
Hold up volume (Litres): 10  
Frame length - Dimension L (mm): 336

<b>Strebel Ltd</b> 1F Albany Park Industrial Estate Frimley Road, Camberley, Surrey, GU16 7PB	Tel: 01276 685 422 Fax: 01276 685 405 Web: <a href="http://www.strebel.co.uk">www.strebel.co.uk</a> Email: <a href="mailto:info@strebel.co.uk">info@strebel.co.uk</a>
--	--

<b>Plate Heat Exchanger Data Sheet</b>
--

**Model type: PHK80 ( 61 plates )**

Heat transfer duty (kW): 80

**Heat Exchanger circuit - Side 1**

Fluid description:	Water
Fluid flow rate (Kg/sec):	0.95
Inlet temperature (Deg C.):	86.0
Outlet temperature (Deg C.):	66.0
Pressure drop (Kpa):	5.7
Inlet / outlet locations:	F1 / F4
Connection size & type:	1.0" BSPT male
Connection material:	316 Stainless
Max. working / test pressure (Bar g.):	6.0 / 9.0
Max. working temperature (Deg C.):	100

**Heat Exchanger circuit - Side 2**

Fluid description:	Water
Fluid flow rate (Kg/sec):	0.96
Inlet temperature (Deg C.):	62.0
Outlet temperature (Deg C.):	82.0
Pressure drop (Kpa):	5.7
Inlet / outlet locations:	F3 / F2
Connection size & type:	1.0" BSPT male
Connection material:	316 Stainless
Max. working / test pressure (Bar g.):	6.0 / 9.0
Max. working temperature (Deg C.):	100

**Constructional Details**

Channel Arrangement:	1 x 30 / 1 x 30
Plate material:	0.5 mm / 316 Stainless
Plate type:	Single wall
Gasket material:	Nitrile - clip in
Frame specification:	Steel - painted
Weight empty (Kgs):	61
Hold up volume (Litres):	13
Frame length - Dimension L (mm):	336

<b>Strebel Ltd</b> 1F Albany Park Industrial Estate Frimley Road, Camberley, Surrey, GU16 7PB	Tel: 01276 685 422 Fax: 01276 685 405 Web: <a href="http://www.strebel.co.uk">www.strebel.co.uk</a> Email: <a href="mailto:info@strebel.co.uk">info@strebel.co.uk</a>
--	--

<b>Plate Heat Exchanger Data Sheet</b>
--

**Model type: PHK100 ( 75 plates )**

Heat transfer duty (kW): 75

**Heat Exchanger circuit - Side 1**

Fluid description:	Water
Fluid flow rate (Kg/sec):	1.19
Inlet temperature (Deg C.):	86.0
Outlet temperature (Deg C.):	66.0
Pressure drop (Kpa):	6.2
Inlet / outlet locations:	F1 / F4
Connection size & type:	1.0" BSPT male
Connection material:	316 Stainless
Max. working / test pressure (Bar g.):	6.0 / 9.0
Max. working temperature (Deg C.):	100

**Heat Exchanger circuit - Side 2**

Fluid description:	Water
Fluid flow rate (Kg/sec):	1.19
Inlet temperature (Deg C.):	62.0
Outlet temperature (Deg C.):	82.0
Pressure drop (Kpa):	6.2
Inlet / outlet locations:	F3 / F2
Connection size & type:	1.0" BSPT male
Connection material:	316 Stainless
Max. working / test pressure (Bar g.):	6.0 / 9.0
Max. working temperature (Deg C.):	100

**Constructional Details**

Channel Arrangement:	1 x 37 / 1 x 37
Plate material:	0.5 mm / 316 Stainless
Plate type:	Single wall
Gasket material:	Nitrile - clip in
Frame specification:	Steel - painted
Weight empty (Kgs):	70
Hold up volume (Litres):	16
Frame length - Dimension L (mm):	503

<b>Plate Heat Exchanger Data Sheet</b>
--

**Model type: PHK120 ( 87 plates )**

Heat transfer duty (kW): 120

**Heat Exchanger circuit - Side 1**

Fluid description: Water  
Fluid flow rate (Kg/sec): 1.43  
Inlet temperature (Deg C.): 86.0  
Outlet temperature (Deg C.): 66.0  
Pressure drop (Kpa): 7.0  
Inlet / outlet locations: F1 / F4  
Connection size & type: 1.0" BSPT male  
Connection material: 316 Stainless  
Max. working / test pressure (Bar g.): 6.0 / 9.0  
Max. working temperature (Deg C.): 100

**Heat Exchanger circuit - Side 2**

Fluid description: Water  
Fluid flow rate (Kg/sec): 1.43  
Inlet temperature (Deg C.): 62.0  
Outlet temperature (Deg C.): 82.0  
Pressure drop (Kpa): 7.0  
Inlet / outlet locations: F3 / F2  
Connection size & type: 1.0" BSPT male  
Connection material: 316 Stainless  
Max. working / test pressure (Bar g.): 6.0 / 9.0  
Max. working temperature (Deg C.): 100

**Constructional Details**

Channel Arrangement: 1 x 43 / 1 x 43  
Plate material: 0.5 mm / 316 Stainless  
Plate type: Single wall  
Gasket material: Nitrile - clip in  
Frame specification: Steel - painted  
Weight empty (Kgs): 75  
Hold up volume (Litres): 18  
Frame length - Dimension L (mm): 503

<b>Strebel Ltd</b> 1F Albany Park Industrial Estate Frimley Road, Camberley, Surrey, GU16 7PB	Tel: 01276 685 422 Fax: 01276 685 405 Web: <a href="http://www.strebel.co.uk">www.strebel.co.uk</a> Email: <a href="mailto:info@strebel.co.uk">info@strebel.co.uk</a>
--	--

<b>Plate Heat Exchanger Data Sheet</b>
--

**Model type: PHK150 ( 41 plates )**

Heat transfer duty (kW): 150

**Heat Exchanger circuit - Side 1**

Fluid description: Water  
Fluid flow rate (Kg/sec): 1.79  
Inlet temperature (Deg C.): 86.0  
Outlet temperature (Deg C.): 66.0  
Pressure drop (Kpa): 11.2  
Inlet / outlet locations: F1 / F4  
Connection size & type: 2.0" BSPT male  
Connection material: 316 Stainless  
Max. working / test pressure (Bar g.): 6.0 / 9.0  
Max. working temperature (Deg C.): 100

**Heat Exchanger circuit - Side 2**

Fluid description: Water  
Fluid flow rate (Kg/sec): 1.79  
Inlet temperature (Deg C.): 62.0  
Outlet temperature (Deg C.): 82.0  
Pressure drop (Kpa): 11.2  
Inlet / outlet locations: F3 / F2  
Connection size & type: 2.0" BSPT male  
Connection material: 316 Stainless  
Max. working / test pressure (Bar g.): 6.0 / 9.0  
Max. working temperature (Deg C.): 100

**Constructional Details**

Channel Arrangement: 1 x 20 / 1 x 20  
Plate material: 0.5 mm / 316 Stainless  
Plate type: Single wall  
Gasket material: Nitrile - clip in  
Frame specification: Steel - painted  
Weight empty (Kgs): 154  
Hold up volume (Litres): 18  
Frame length - Dimension L (mm): 365

<b>Strebel Ltd</b> 1F Albany Park Industrial Estate Frimley Road, Camberley, Surrey, GU16 7PB	Tel: 01276 685 422 Fax: 01276 685 405 Web: <a href="http://www.strebel.co.uk">www.strebel.co.uk</a> Email: <a href="mailto:info@strebel.co.uk">info@strebel.co.uk</a>
--	--

<b>Plate Heat Exchanger Data Sheet</b>
--

**Model type: PHK160 ( 44 plates )**

Heat transfer duty (kW): 160

**Heat Exchanger circuit - Side 1**

Fluid description: Water  
Fluid flow rate (Kg/sec): 1.91  
Inlet temperature (Deg C.): 86.0  
Outlet temperature (Deg C.): 66.0  
Pressure drop (Kpa): 11.6  
Inlet / outlet locations: F1 / F4  
Connection size & type: 2.0" BSPT male  
Connection material: 316 Stainless  
Max. working / test pressure (Bar g.): 6.0 / 9.0  
Max. working temperature (Deg C.): 100

**Heat Exchanger circuit - Side 2**

Fluid description: Water  
Fluid flow rate (Kg/sec): 1.91  
Inlet temperature (Deg C.): 62.0  
Outlet temperature (Deg C.): 82.0  
Pressure drop (Kpa): 10.5  
Inlet / outlet locations: F3 / F2  
Connection size & type: 2.0" BSPT male  
Connection material: 316 Stainless  
Max. working / test pressure (Bar g.): 6.0 / 9.0  
Max. working temperature (Deg C.): 100

**Constructional Details**

Channel Arrangement: 1 x 21 / 1 x 22  
Plate material: 0.5 mm / 316 Stainless  
Plate type: Single wall  
Gasket material: Nitrile - clip in  
Frame specification: Steel - painted  
Weight empty (Kgs): 157  
Hold up volume (Litres): 19  
Frame length - Dimension L (mm): 365

<b>Strebel Ltd</b> 1F Albany Park Industrial Estate Frimley Road, Camberley, Surrey, GU16 7PB	Tel: 01276 685 422 Fax: 01276 685 405 Web: <a href="http://www.strebel.co.uk">www.strebel.co.uk</a> Email: <a href="mailto:info@strebel.co.uk">info@strebel.co.uk</a>
--	--

<b>Plate Heat Exchanger Data Sheet</b>
--

**Model type: PHK180 ( 47 plates )**

Heat transfer duty (kW): 180

**Heat Exchanger circuit - Side 1**

Fluid description: Water  
Fluid flow rate (Kg/sec): 2.15  
Inlet temperature (Deg C.): 86.0  
Outlet temperature (Deg C.): 66.0  
Pressure drop (Kpa): 12.3  
Inlet / outlet locations: F1 / F4  
Connection size & type: 2.0" BSPT male  
Connection material: 316 Stainless  
Max. working / test pressure (Bar g.): 6.0 / 9.0  
Max. working temperature (Deg C.): 100

**Heat Exchanger circuit - Side 2**

Fluid description: Water  
Fluid flow rate (Kg/sec): 2.15  
Inlet temperature (Deg C.): 62.0  
Outlet temperature (Deg C.): 82.0  
Pressure drop (Kpa): 12.3  
Inlet / outlet locations: F3 / F2  
Connection size & type: 2.0" BSPT male  
Connection material: 316 Stainless  
Max. working / test pressure (Bar g.): 6.0 / 9.0  
Max. working temperature (Deg C.): 100

**Constructional Details**

Channel Arrangement: 1 x 23 / 1 x 23  
Plate material: 0.5 mm / 316 Stainless  
Plate type: Single wall  
Gasket material: Nitrile - clip in  
Frame specification: Steel - painted  
Weight empty (Kgs): 162  
Hold up volume (Litres): 20  
Frame length - Dimension L (mm): 432

<b>Strebel Ltd</b> 1F Albany Park Industrial Estate Frimley Road, Camberley, Surrey, GU16 7PB	Tel: 01276 685 422 Fax: 01276 685 405 Web: <a href="http://www.strebel.co.uk">www.strebel.co.uk</a> Email: <a href="mailto:info@strebel.co.uk">info@strebel.co.uk</a>
--	--



<b>Plate Heat Exchanger Data Sheet</b>
--

**Model type: PHK200 ( 52 plates )**

Heat transfer duty (kW): 200

**Heat Exchanger circuit - Side 1**

Fluid description:	Water
Fluid flow rate (Kg/sec):	2.39
Inlet temperature (Deg C.):	86.0
Outlet temperature (Deg C.):	66.0
Pressure drop (Kpa):	13.0
Inlet / outlet locations:	F1 / F4
Connection size & type:	2.0" BSPT male
Connection material:	316 Stainless
Max. working / test pressure (Bar g.):	6.0 / 9.0
Max. working temperature (Deg C.):	100

**Heat Exchanger circuit - Side 2**

Fluid description:	Water
Fluid flow rate (Kg/sec):	2.39
Inlet temperature (Deg C.):	62.0
Outlet temperature (Deg C.):	82.0
Pressure drop (Kpa):	11.9
Inlet / outlet locations:	F3 / F2
Connection size & type:	2.0" BSPT male
Connection material:	316 Stainless
Max. working / test pressure (Bar g.):	6.0 / 9.0
Max. working temperature (Deg C.):	100

**Constructional Details**

Channel Arrangement:	1 x 25 / 1 x 26
Plate material:	0.5 mm / 316 Stainless
Plate type:	Single wall
Gasket material:	Nitrile - clip in
Frame specification:	Steel - painted
Weight empty (Kgs):	166
Hold up volume (Litres):	23
Frame length - Dimension L (mm):	432

<b>Strebel Ltd</b> 1F Albany Park Industrial Estate Frimley Road, Camberley, Surrey, GU16 7PB	Tel: 01276 685 422 Fax: 01276 685 405 Web: <a href="http://www.strebel.co.uk">www.strebel.co.uk</a> Email: <a href="mailto:info@strebel.co.uk">info@strebel.co.uk</a>
--	--

<b>Plate Heat Exchanger Data Sheet</b>
--

**Model type: PHK240 ( 57 plates )**

Heat transfer duty (kW): 240

**Heat Exchanger circuit - Side 1**

Fluid description:	Water
Fluid flow rate (Kg/sec):	2.86
Inlet temperature (Deg C.):	86.0
Outlet temperature (Deg C.):	66.0
Pressure drop (Kpa):	15.0
Inlet / outlet locations:	F1 / F4
Connection size & type:	2.0" BSPT male
Connection material:	316 Stainless
Max. working / test pressure (Bar g.):	6.0 / 9.0
Max. working temperature (Deg C.):	100

**Heat Exchanger circuit - Side 2**

Fluid description:	Water
Fluid flow rate (Kg/sec):	2.87
Inlet temperature (Deg C.):	62.0
Outlet temperature (Deg C.):	82.0
Pressure drop (Kpa):	15.0
Inlet / outlet locations:	F3 / F2
Connection size & type:	2.0" BSPT male
Connection material:	316 Stainless
Max. working / test pressure (Bar g.):	6.0 / 9.0
Max. working temperature (Deg C.):	100

**Constructional Details**

Channel Arrangement:	1 x 28 / 1 x 28
Plate material:	0.5 mm / 316 Stainless
Plate type:	Single wall
Gasket material:	Nitrile - clip in
Frame specification:	Steel - painted
Weight empty (Kgs):	171
Hold up volume (Litres):	25
Frame length - Dimension L (mm):	432

<b>Strebel Ltd</b> 1F Albany Park Industrial Estate Frimley Road, Camberley, Surrey, GU16 7PB	Tel: 01276 685 422 Fax: 01276 685 405 Web: <a href="http://www.strebel.co.uk">www.strebel.co.uk</a> Email: <a href="mailto:info@strebel.co.uk">info@strebel.co.uk</a>
--	--

<b>Plate Heat Exchanger Data Sheet</b>
--

**Model type: PHK300 ( 72 plates )**

Heat transfer duty (kW): 300

**Heat Exchanger circuit - Side 1**

Fluid description:	Water
Fluid flow rate (Kg/sec):	3.58
Inlet temperature (Deg C.):	86.0
Outlet temperature (Deg C.):	66.0
Pressure drop (Kpa):	15.3
Inlet / outlet locations:	F1 / F4
Connection size & type:	2.0" BSPT male
Connection material:	316 Stainless
Max. working / test pressure (Bar g.):	6.0 / 9.0
Max. working temperature (Deg C.):	100

**Heat Exchanger circuit - Side 2**

Fluid description:	Water
Fluid flow rate (Kg/sec):	3.58
Inlet temperature (Deg C.):	62.0
Outlet temperature (Deg C.):	82.0
Pressure drop (Kpa):	14.4
Inlet / outlet locations:	F3 / F2
Connection size & type:	2.0" BSPT male
Connection material:	316 Stainless
Max. working / test pressure (Bar g.):	6.0 / 9.0
Max. working temperature (Deg C.):	100

**Constructional Details**

Channel Arrangement:	1 x 35 / 1 x 36
Plate material:	0.5 mm / 316 Stainless
Plate type:	Single wall
Gasket material:	Nitrile - clip in
Frame specification:	Steel - painted
Weight empty (Kgs):	188
Hold up volume (Litres):	32
Frame length - Dimension L (mm):	532

<b>Plate Heat Exchanger Data Sheet</b>
--

**Model type: PHK360 ( 83 plates )**

Heat transfer duty (kW): 360

**Heat Exchanger circuit - Side 1**

Fluid description:	Water
Fluid flow rate (Kg/sec):	4.29
Inlet temperature (Deg C.):	86.0
Outlet temperature (Deg C.):	66.0
Pressure drop (Kpa):	16.4
Inlet / outlet locations:	F1 / F4
Connection size & type:	2.0" BSPT male
Connection material:	316 Stainless
Max. working / test pressure (Bar g.):	6.0 / 9.0
Max. working temperature (Deg C.):	100

**Heat Exchanger circuit - Side 2**

Fluid description:	Water
Fluid flow rate (Kg/sec):	4.30
Inlet temperature (Deg C.):	62.0
Outlet temperature (Deg C.):	82.0
Pressure drop (Kpa):	16.3
Inlet / outlet locations:	F3 / F2
Connection size & type:	2.0" BSPT male
Connection material:	316 Stainless
Max. working / test pressure (Bar g.):	6.0 / 9.0
Max. working temperature (Deg C.):	100

**Constructional Details**

Channel Arrangement:	1 x 41 / 1 x 41
Plate material:	0.5 mm / 316 Stainless
Plate type:	Single wall
Gasket material:	Nitrile - clip in
Frame specification:	Steel - painted
Weight empty (Kgs):	201
Hold up volume (Litres):	18
Frame length - Dimension L (mm):	632

<b>Plate Heat Exchanger Data Sheet</b>
--

**Model type: PHK400 ( 35 plates )**

Heat transfer duty (kW): 400

**Heat Exchanger circuit - Side 1**

Fluid description: Water  
Fluid flow rate (Kg/sec): 4.77  
Inlet temperature (Deg C.): 86.0  
Outlet temperature (Deg C.): 66.0  
Pressure drop (Kpa): 27.8  
Inlet / outlet locations: F1 / F4  
Connection size & type: 4.0" PN16 flanged  
Connection material: Steel - rubber lined  
Max. working / test pressure (Bar g.): 6.0 / 9.0  
Max. working temperature (Deg C.): 100

**Heat Exchanger circuit - Side 2**

Fluid description: Water  
Fluid flow rate (Kg/sec): 4.78  
Inlet temperature (Deg C.): 62.0  
Outlet temperature (Deg C.): 82.0  
Pressure drop (Kpa): 27.7  
Inlet / outlet locations: F3 / F2  
Connection size & type: 4.0" PN16 flanged  
Connection material: Steel - rubber lined  
Max. working / test pressure (Bar g.): 6.0 / 9.0  
Max. working temperature (Deg C.): 100

**Constructional Details**

Channel Arrangement: 1 x 17 / 1 x 17  
Plate material: 0.4 mm / 304 Stainless  
Plate type: Single wall  
Gasket material: Nitrile - clip in  
Frame specification: Steel - painted with feet  
Weight empty (Kgs): 454  
Hold up volume (Litres): 39  
Frame length - Dimension L (mm): 435

<b>Strebel Ltd</b> 1F Albany Park Industrial Estate Frimley Road, Camberley, Surrey, GU16 7PB	Tel: 01276 685 422 Fax: 01276 685 405 Web: <a href="http://www.strebel.co.uk">www.strebel.co.uk</a> Email: <a href="mailto:info@strebel.co.uk">info@strebel.co.uk</a>
--	--

<b>Plate Heat Exchanger Data Sheet</b>
--

**Model type: PHK450 ( 38 plates )**

Heat transfer duty (kW): 450

**Heat Exchanger circuit - Side 1**

Fluid description: Water  
Fluid flow rate (Kg/sec): 5.37  
Inlet temperature (Deg C.): 86.0  
Outlet temperature (Deg C.): 66.0  
Pressure drop (Kpa): 29.6  
Inlet / outlet locations: F1 / F4  
Connection size & type: 4.0" PN16 flanged  
Connection material: Steel - rubber lined  
Max. working / test pressure (Bar g.): 6.0 / 9.0  
Max. working temperature (Deg C.): 100

**Heat Exchanger circuit - Side 2**

Fluid description: Water  
Fluid flow rate (Kg/sec): 5.37  
Inlet temperature (Deg C.): 62.0  
Outlet temperature (Deg C.): 82.0  
Pressure drop (Kpa): 29.5  
Inlet / outlet locations: F3 / F2  
Connection size & type: 4.0" PN16 flanged  
Connection material: Steel - rubber lined  
Max. working / test pressure (Bar g.): 6.0 / 9.0  
Max. working temperature (Deg C.): 100

**Constructional Details**

Channel Arrangement: 1 x 18 / 1 x 19  
Plate material: 0.4 mm / 304 Stainless  
Plate type: Single wall  
Gasket material: Nitrile - clip in  
Frame specification: Steel - painted with feet  
Weight empty (Kgs): 460  
Hold up volume (Litres): 43  
Frame length - Dimension L (mm): 435

<b>Strebel Ltd</b> 1F Albany Park Industrial Estate Frimley Road, Camberley, Surrey, GU16 7PB	Tel: 01276 685 422 Fax: 01276 685 405 Web: <a href="http://www.strebel.co.uk">www.strebel.co.uk</a> Email: <a href="mailto:info@strebel.co.uk">info@strebel.co.uk</a>
--	--

<b>Plate Heat Exchanger Data Sheet</b>
--

**Model type: PHK480 ( 41 plates )**

Heat transfer duty (kW): 480

**Heat Exchanger circuit - Side 1**

Fluid description:	Water
Fluid flow rate (Kg/sec):	5.73
Inlet temperature (Deg C.):	86.0
Outlet temperature (Deg C.):	66.0
Pressure drop (Kpa):	28.7
Inlet / outlet locations:	F1 / F4
Connection size & type:	4.0" PN16 flanged
Connection material:	Steel - rubber lined
Max. working / test pressure (Bar g.):	6.0 / 9.0
Max. working temperature (Deg C.):	100

**Heat Exchanger circuit - Side 2**

Fluid description:	Water
Fluid flow rate (Kg/sec):	5.73
Inlet temperature (Deg C.):	62.0
Outlet temperature (Deg C.):	82.0
Pressure drop (Kpa):	28.6
Inlet / outlet locations:	F3 / F2
Connection size & type:	4.0" PN16 flanged
Connection material:	Steel - rubber lined
Max. working / test pressure (Bar g.):	6.0 / 9.0
Max. working temperature (Deg C.):	100

**Constructional Details**

Channel Arrangement:	1 x 20 / 1 x 20
Plate material:	0.4 mm / 304 Stainless
Plate type:	Single wall
Gasket material:	Nitrile - clip in
Frame specification:	Steel - painted with feet
Weight empty (Kgs):	465
Hold up volume (Litres):	46
Frame length - Dimension L (mm):	435

<b>Strebel Ltd</b> 1F Albany Park Industrial Estate Frimley Road, Camberley, Surrey, GU16 7PB	Tel: 01276 685 422 Fax: 01276 685 405 Web: <a href="http://www.strebel.co.uk">www.strebel.co.uk</a> Email: <a href="mailto:info@strebel.co.uk">info@strebel.co.uk</a>
--	--

<b>Plate Heat Exchanger Data Sheet</b>
--

**Model type: PHK500 ( 42 plates )**

Heat transfer duty (kW): 500

**Heat Exchanger circuit - Side 1**

Fluid description:	Water
Fluid flow rate (Kg/sec):	5.96
Inlet temperature (Deg C.):	86.0
Outlet temperature (Deg C.):	66.0
Pressure drop (Kpa):	29.6
Inlet / outlet locations:	F1 / F4
Connection size & type:	4.0" PN16 flanged
Connection material:	Steel - rubber lined
Max. working / test pressure (Bar g.):	6.0 / 9.0
Max. working temperature (Deg C.):	100

**Heat Exchanger circuit - Side 2**

Fluid description:	Water
Fluid flow rate (Kg/sec):	5.97
Inlet temperature (Deg C.):	62.0
Outlet temperature (Deg C.):	82.0
Pressure drop (Kpa):	29.5
Inlet / outlet locations:	F3 / F2
Connection size & type:	4.0" PN16 flanged
Connection material:	Steel - rubber lined
Max. working / test pressure (Bar g.):	6.0 / 9.0
Max. working temperature (Deg C.):	100

**Constructional Details**

Channel Arrangement:	1 x 20 / 1 x 21
Plate material:	0.4 mm / 304 Stainless
Plate type:	Single wall
Gasket material:	Nitrile - clip in
Frame specification:	Steel - painted with feet
Weight empty (Kgs):	467
Hold up volume (Litres):	47
Frame length - Dimension L (mm):	435



<b>Plate Heat Exchanger Data Sheet</b>
--

**Model type: PHK540 ( 45 plates )**

Heat transfer duty (kW): 540

**Heat Exchanger circuit - Side 1**

Fluid description:	Water
Fluid flow rate (Kg/sec):	6.44
Inlet temperature (Deg C.):	86.0
Outlet temperature (Deg C.):	66.0
Pressure drop (Kpa):	29.8
Inlet / outlet locations:	F1 / F4
Connection size & type:	4.0" PN16 flanged
Connection material:	Steel - rubber lined
Max. working / test pressure (Bar g.):	6.0 / 9.0
Max. working temperature (Deg C.):	100

**Heat Exchanger circuit - Side 2**

Fluid description:	Water
Fluid flow rate (Kg/sec):	6.45
Inlet temperature (Deg C.):	62.0
Outlet temperature (Deg C.):	82.0
Pressure drop (Kpa):	29.7
Inlet / outlet locations:	F3 / F2
Connection size & type:	4.0" PN16 flanged
Connection material:	Steel - rubber lined
Max. working / test pressure (Bar g.):	6.0 / 9.0
Max. working temperature (Deg C.):	100

**Constructional Details**

Channel Arrangement:	1 x 22 / 1 x 22
Plate material:	0.4 mm / 304 Stainless
Plate type:	Single wall
Gasket material:	Nitrile - clip in
Frame specification:	Steel - painted with feet
Weight empty (Kgs):	479
Hold up volume (Litres):	51
Frame length - Dimension L (mm):	535

<b>Strebel Ltd</b> 1F Albany Park Industrial Estate Frimley Road, Camberley, Surrey, GU16 7PB	Tel: 01276 685 422 Fax: 01276 685 405 Web: <a href="http://www.strebel.co.uk">www.strebel.co.uk</a> Email: <a href="mailto:info@strebel.co.uk">info@strebel.co.uk</a>
--	--

<b>Plate Heat Exchanger Data Sheet</b>
--

**Model type: PHK600 ( 50 plates )**

Heat transfer duty (kW): 600

**Heat Exchanger circuit - Side 1**

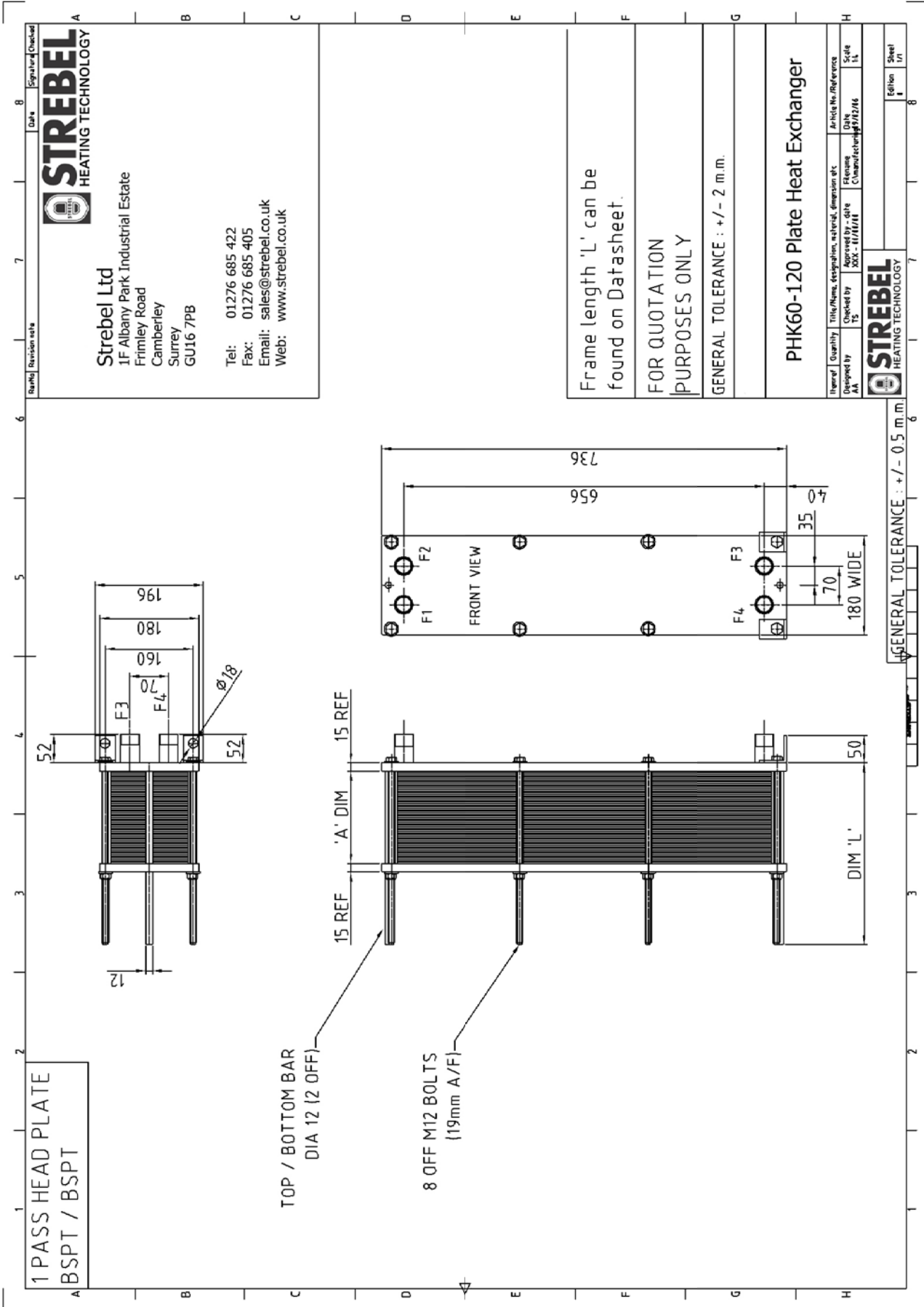
Fluid description:	Water
Fluid flow rate (Kg/sec):	7.16
Inlet temperature (Deg C.):	86.0
Outlet temperature (Deg C.):	66.0
Pressure drop (Kpa):	29.2
Inlet / outlet locations:	F1 / F4
Connection size & type:	4.0" PN16 flanged
Connection material:	Steel - rubber lined
Max. working / test pressure (Bar g.):	6.0 / 9.0
Max. working temperature (Deg C.):	100

**Heat Exchanger circuit - Side 2**

Fluid description:	Water
Fluid flow rate (Kg/sec):	7.16
Inlet temperature (Deg C.):	62.0
Outlet temperature (Deg C.):	82.0
Pressure drop (Kpa):	29.1
Inlet / outlet locations:	F3 / F2
Connection size & type:	4.0" PN16 flanged
Connection material:	Steel - rubber lined
Max. working / test pressure (Bar g.):	6.0 / 9.0
Max. working temperature (Deg C.):	100

**Constructional Details**

Channel Arrangement:	1 x 24 / 1 x 25
Plate material:	0.4 mm / 304 Stainless
Plate type:	Single wall
Gasket material:	Nitrile - clip in
Frame specification:	Steel - painted with feet
Weight empty (Kgs):	489
Hold up volume (Litres):	56
Frame length - Dimension L (mm):	535



**STREBEL**  
HEATING TECHNOLOGY

**Strebel Ltd**  
1F Albany Park Industrial Estate  
Frimley Road  
Camberley  
Surrey  
GU16 7PB

Tel: 01276 685 422  
Fax: 01276 685 405  
Email: sales@strebel.co.uk  
Web: www.strebel.co.uk

Frame length 'L' can be found on Datasheet.

**FOR QUOTATION PURPOSES ONLY**

GENERAL TOLERANCE :  $\pm 2$  m.m.

**PHK60-120 Plate Heat Exchanger**

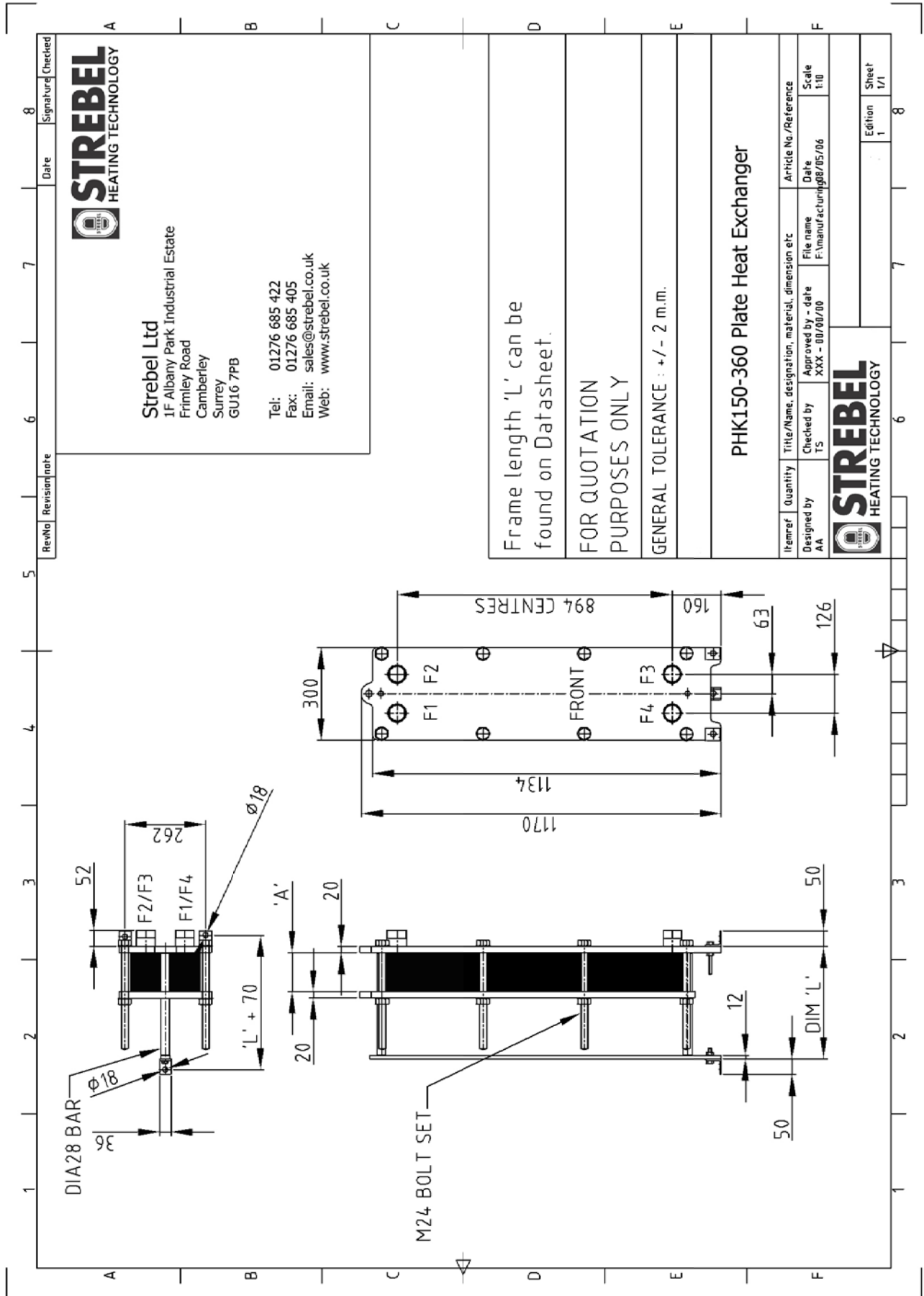
Item No	Quantity	Title/Name, designation, material, dimension etc.	Article No./Reference
Desig. AA	TS	Approved by - date	Date
Checked by	TS	Manufactured	Scale
			1:1

**STREBEL**  
HEATING TECHNOLOGY

Edition 1/1  
Sheet 1/1

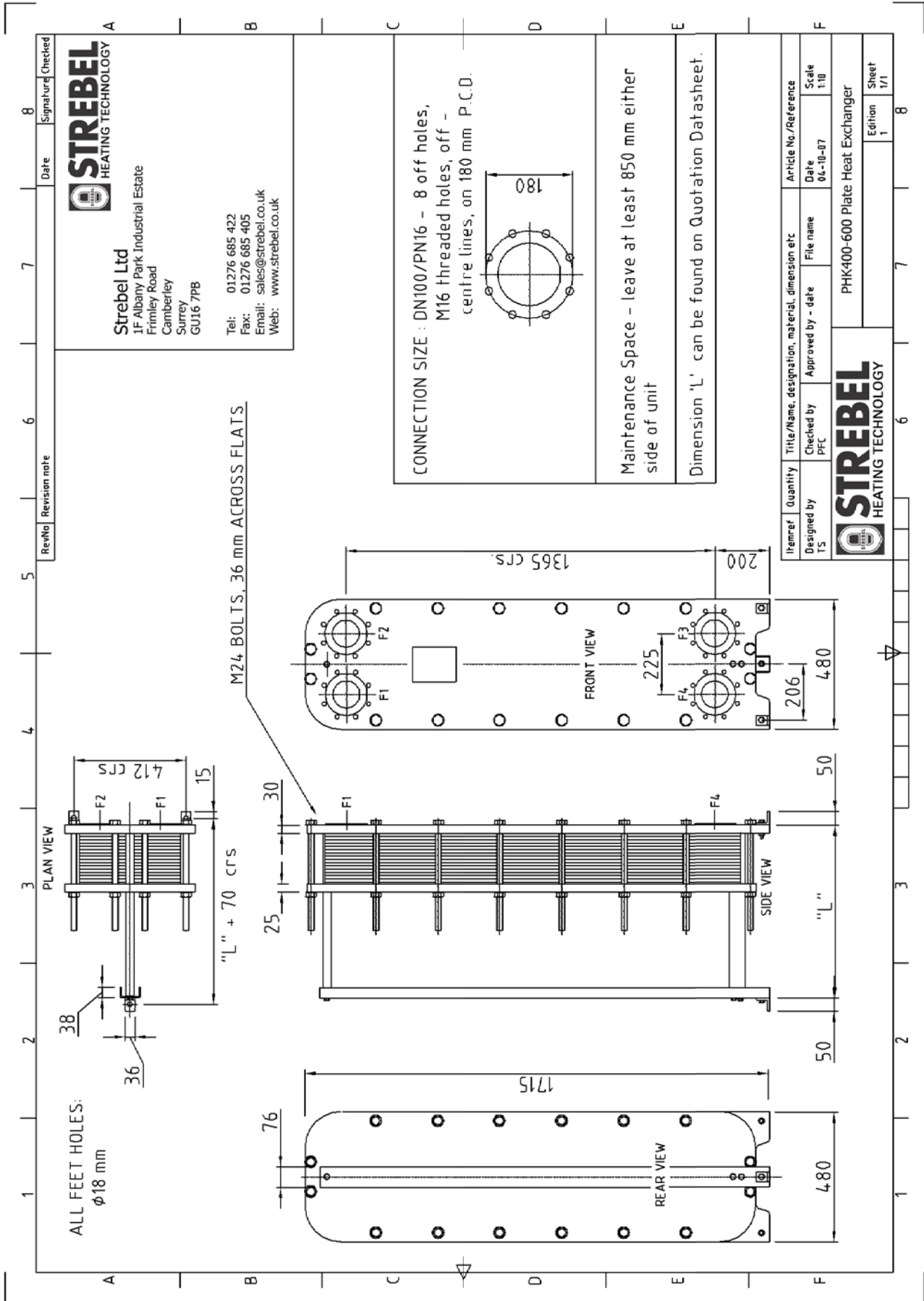
**Strebel Ltd**  
1F Albany Park Industrial Estate  
Frimley Road, Camberley,  
Surrey, GU16 7PB

Tel: 01276 685 422  
Fax: 01276 685 405  
Web: www.strebel.co.uk  
Email: info@strebel.co.uk



**Strebel Ltd**  
 1F Albany Park Industrial Estate  
 Frimley Road, Camberley,  
 Surrey, GU16 7PB

Tel: 01276 685 422  
 Fax: 01276 685 405  
 Web: www.strebel.co.uk  
 Email: info@strebel.co.uk



**Strebel Ltd**  
 1F Albany Park Industrial Estate  
 Frimley Road, Camberley,  
 Surrey, GU16 7PB

Tel: 01276 685 422  
 Fax: 01276 685 405  
 Web: www.strebel.co.uk  
 Email: info@strebel.co.uk

**Strebel Ltd**  
1F Albany Park Industrial Estate  
Frimley Road, Camberley,  
Surrey, GU16 7PB

Tel: 01276 685 422  
Fax: 01276 685 405  
Web: [www.strebel.co.uk](http://www.strebel.co.uk)  
Email: [info@strebel.co.uk](mailto:info@strebel.co.uk)